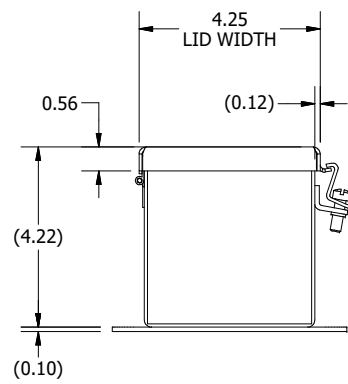
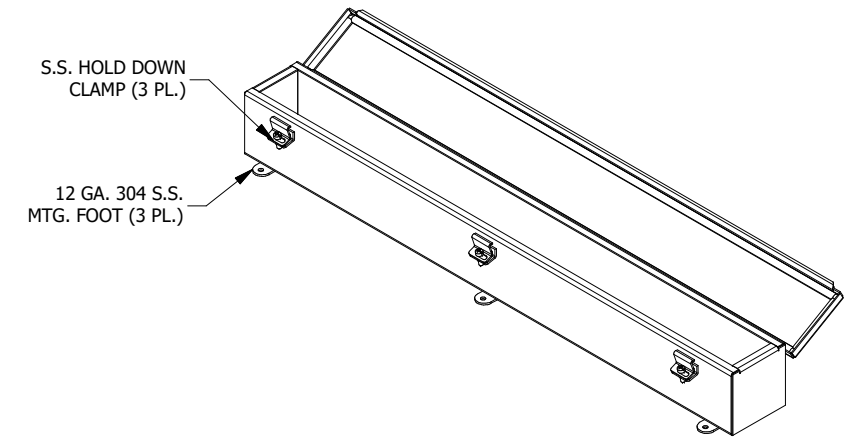
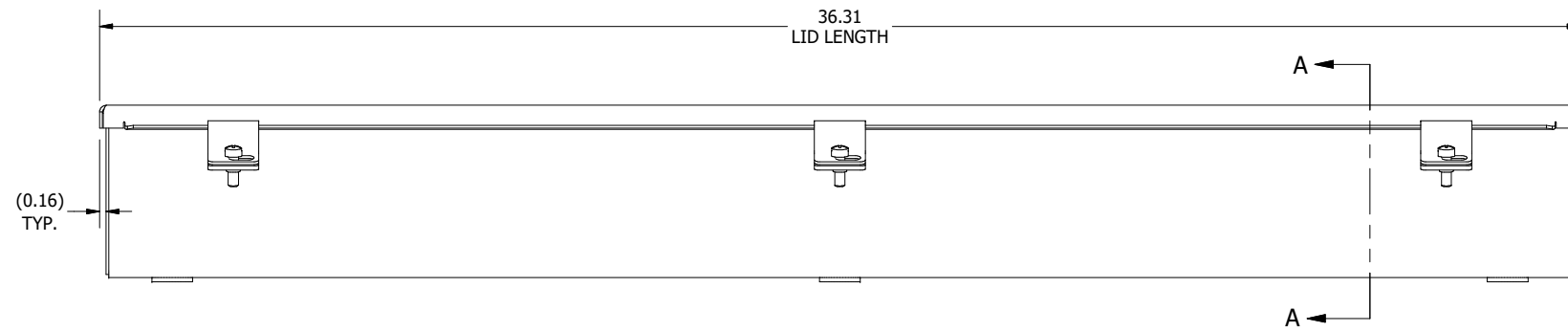


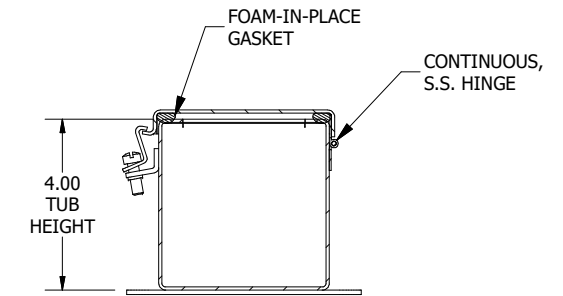
TOP VIEW
 (LID REMOVED)



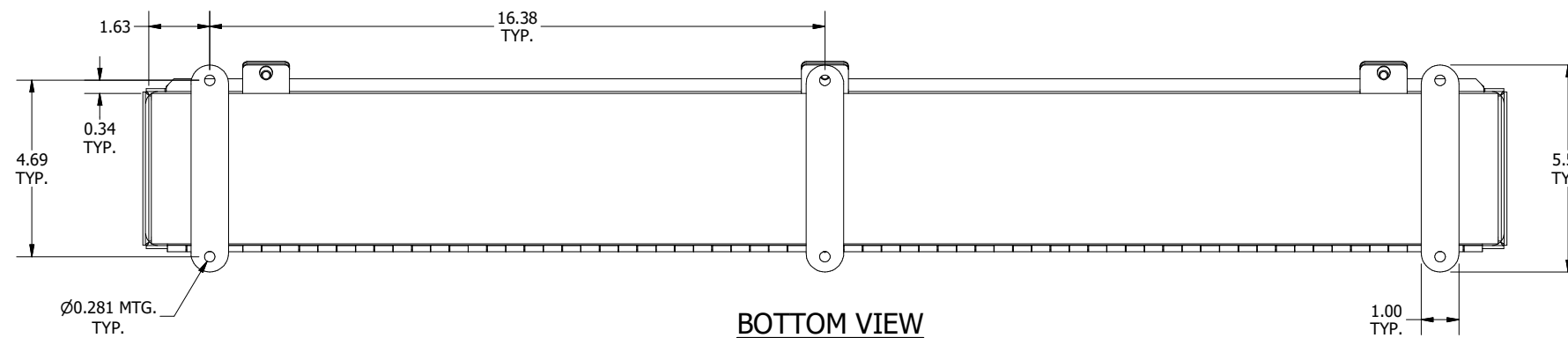
LEFT SIDE VIEW



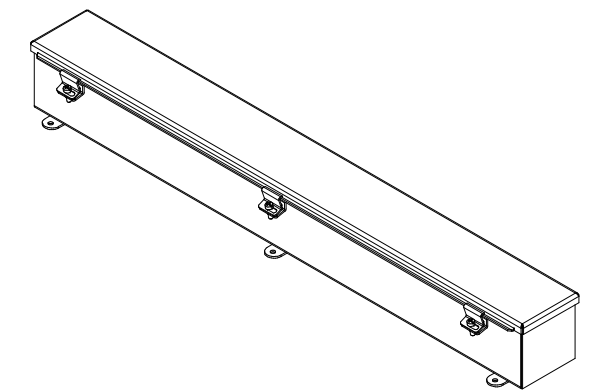
FRONT VIEW



SECTION A-A
 (INSIDE LEFT OF ENCL.)



BOTTOM VIEW



PART#: T4436CHSS
(DATA SUBJECT TO CHANGE WITHOUT NOTICE)

THIS DRAWING IS PROPERTY OF HUBBELL INC. WIEGMANN
 ALL INFORMATION IS PROPRIETARY AND NOT TO BE DUPLICATED